

B&G

MY-TI-LITE 2300 & ULTRA-LITE 2400

USER MANUAL

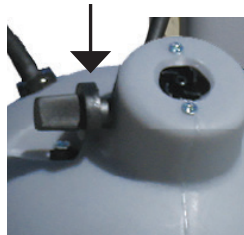


SAFETY PRECAUTIONS

- Connect unit to the designated electrical supply:
 - Do not connect 110V units to 220V power.
 - Do not connect 220V units to 110V power.
- Do not move or position the fogger by pulling it by the electric cord.
- Always use a grounded (3 terminal) extension cord.

BEFORE USE

- Calibrate the adjustment knob.
- Turn the knob until closed.
- Push down on base of knob and align the point with groove on the nozzle.
- Release base to set the point.



OPERATION

FILLING

- Do not add more than 1.5 gallons (5.5 liters) liquid to the tank.
- Do not mix chemical in the tank; pre-mix and then add to the tank.
- Mix all chemicals according to label directions.

PLACEMENT DURING OPERATION

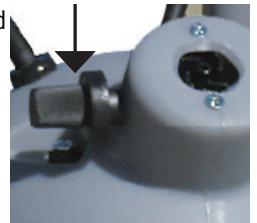
- Never place fogger directly on floor, always elevate to keep dust and moisture out of fogger.
- Do not operate fogger in enclosed or small areas for more than 30 minutes.

ULV OPERATION (ULTRA-LITE 2400)

- Adjustment knob open one-quarter to one-half turn - This delivers a ULV fog.
- The spray cannot be seen because the droplets are very small.
- Adjustment knob open one full turn - This delivers a power mist which is visible from nozzle.

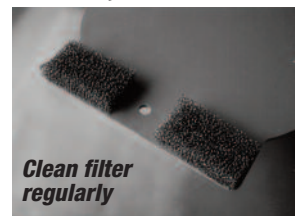
VERY IMPORTANT

- When fogging is finished and the unit will be turned off, follow this sequence:
 - First, turn off adjustment knob
 - Second, turn off electric power
 - Third, open the tank cap*Turn off the adjustment knob before turning power off.*
- **Note:** Failure to follow this sequence can result in liquid insecticide dripping into the hose and eventually reaching and destroying the motor.



CARE AND MAINTENANCE

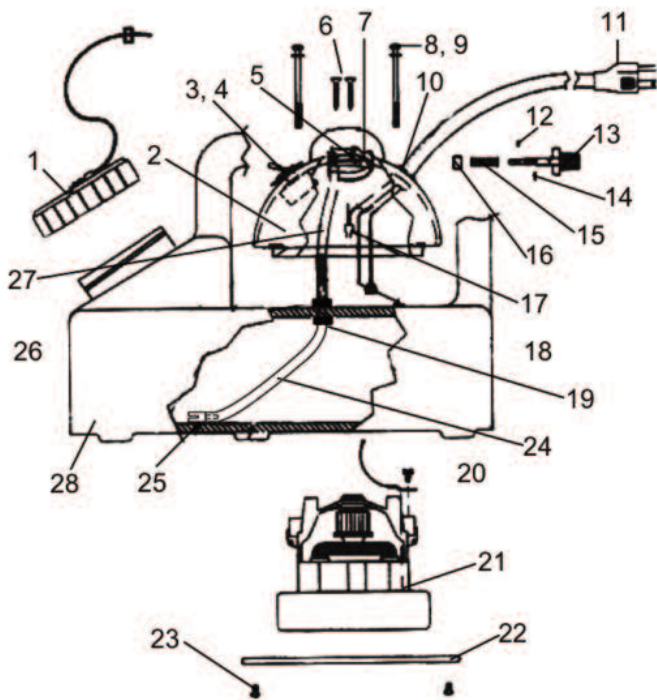
- Always empty and flush the tank after each use; never leave chemicals in tank for extended periods.
- Inspect spray hose and electric cord for wear or damage.
- Protect nozzle when not in use.
- Clean the filters on the bottom plate of the fogger; be certain to replace (this protects the motor).



TROUBLESHOOTING

Problem	Solution
Fog and power mist is weak.	<ul style="list-style-type: none"> Tighten tank cap.
Liquid forms around the base of the motor housing, around mounting screws.	<ul style="list-style-type: none"> Unit may have been operating too long and fog droplets in the air are forming on the metal screws.
Fogger is operating erratically frequently turning on and off.	<ul style="list-style-type: none"> Inspect the electric cord and the plug for damage. Motor may be damaged from moisture, replace motor.
Fogger becomes very warm (hot) during normal operation.	<ul style="list-style-type: none"> Some heat is normal. Remove the lower plate (motor guard) and clean the filters with a nylon brush.

PARTS



Number	Description	Legacy Part #	Order #
1	Cap and O-Ring	22071003	1208001279
2	Housing (Model 2300)		
2	Housing (Model 2400)		
3	Switch boot	23089190	1608003922
4	Switch 110V	29108135	1608004015
4	Switch 220V	29103270	1608003995
5	Spring Clamp	22071433	1608003887
6	Screw	29108215	1208004891
7	Venturi (Model 2400)	95151362	1608004427
7	Venturi (Model 2300)	29108186	1208001363
8	Spacer	29108123	1608004014
9	Screw	29108121	1608004013
10	Strain relief	29108154	1608004019
11	Electric cord 110V	29108150	1208001357
11	Electric cord 220V	29103275	1208001342
12	O-ring (Model 2400)	29103220	1208004887
12	Plug (Model 2300)	29103255	1608003994
13	Valve rod, knob (2400)	29103225	1208004888
14	Clip (Model 2400)	29103230	1208004882
15	Spring (Model 2400)	29103240	1208004883
16	Sleeve (Model 2400)	29103235	1208001340
17	Wire connector	29108160	1608004024
18	Open		
19	Grommet	29108156	1208004879
20	Open		
21	Motor 110V	29108190	1208001367
21	Motor 220V	29108195	1208001372
22	Motor guard / Filter	29108105	1208001356
23	Screw	29108110	1608004012
24	Supply tube	29108194	1208001371
25	Strainer	29108140	1608004016
26	Open		
27	Ref Item #24		
28	Tank		